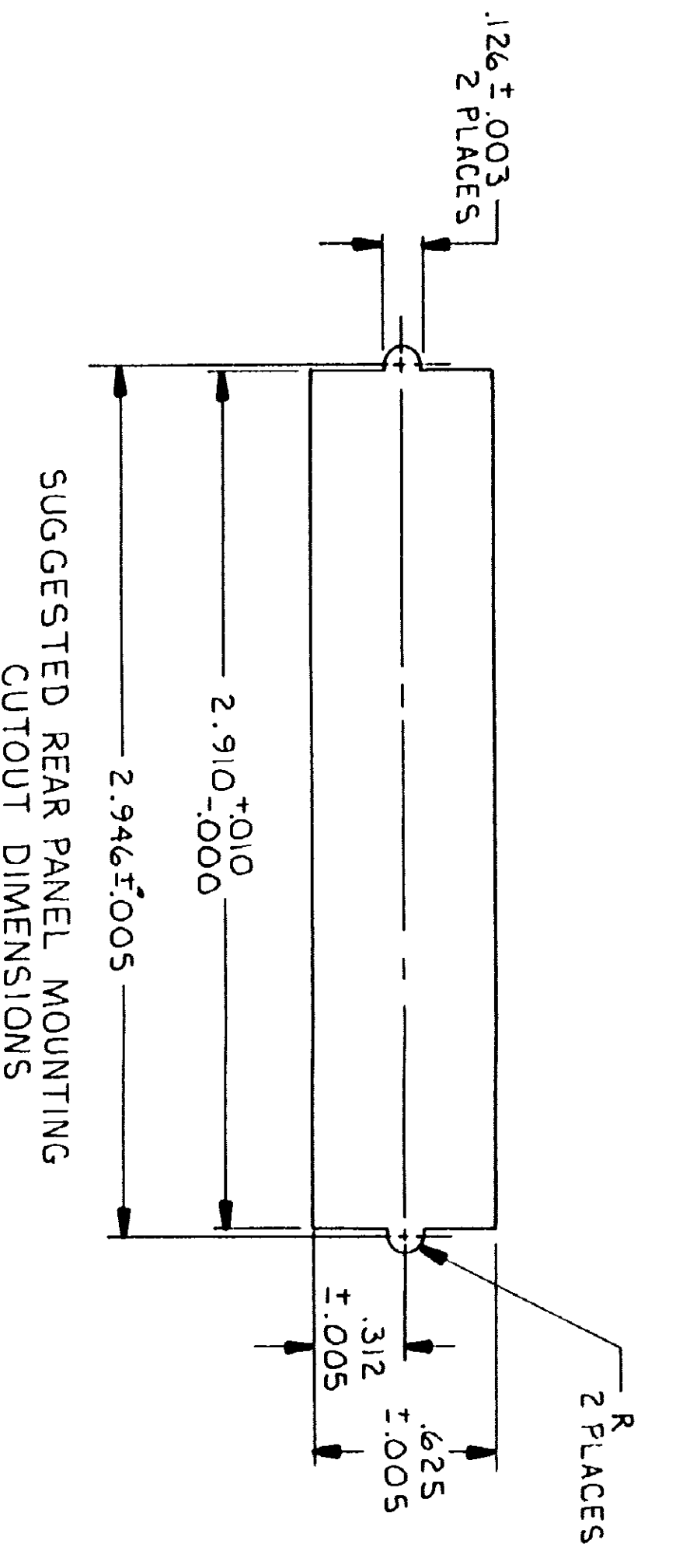


TYPICAL GROUNDING PAD

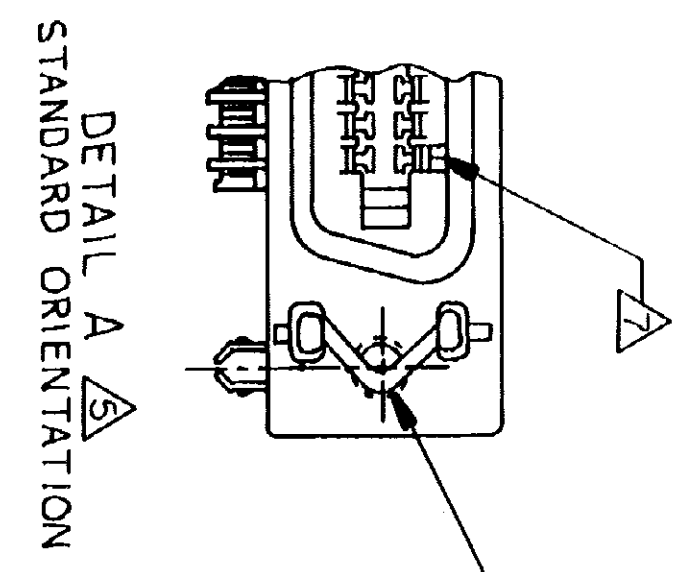


SUGGESTED REAR PANEL MOUNTING CUTOUT DIMENSIONS

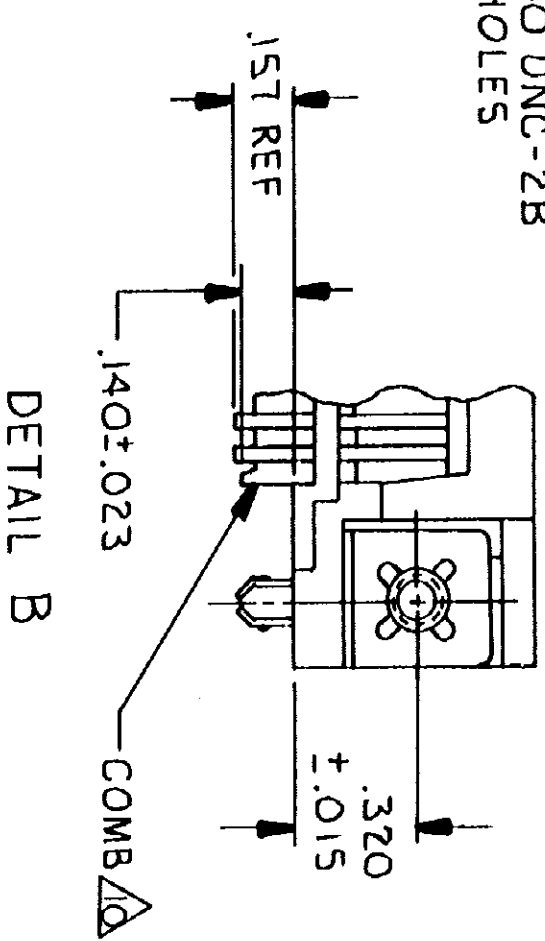


SUGGESTED PRINTED CIRCUIT BOARD MOUNTING DIMENSIONS

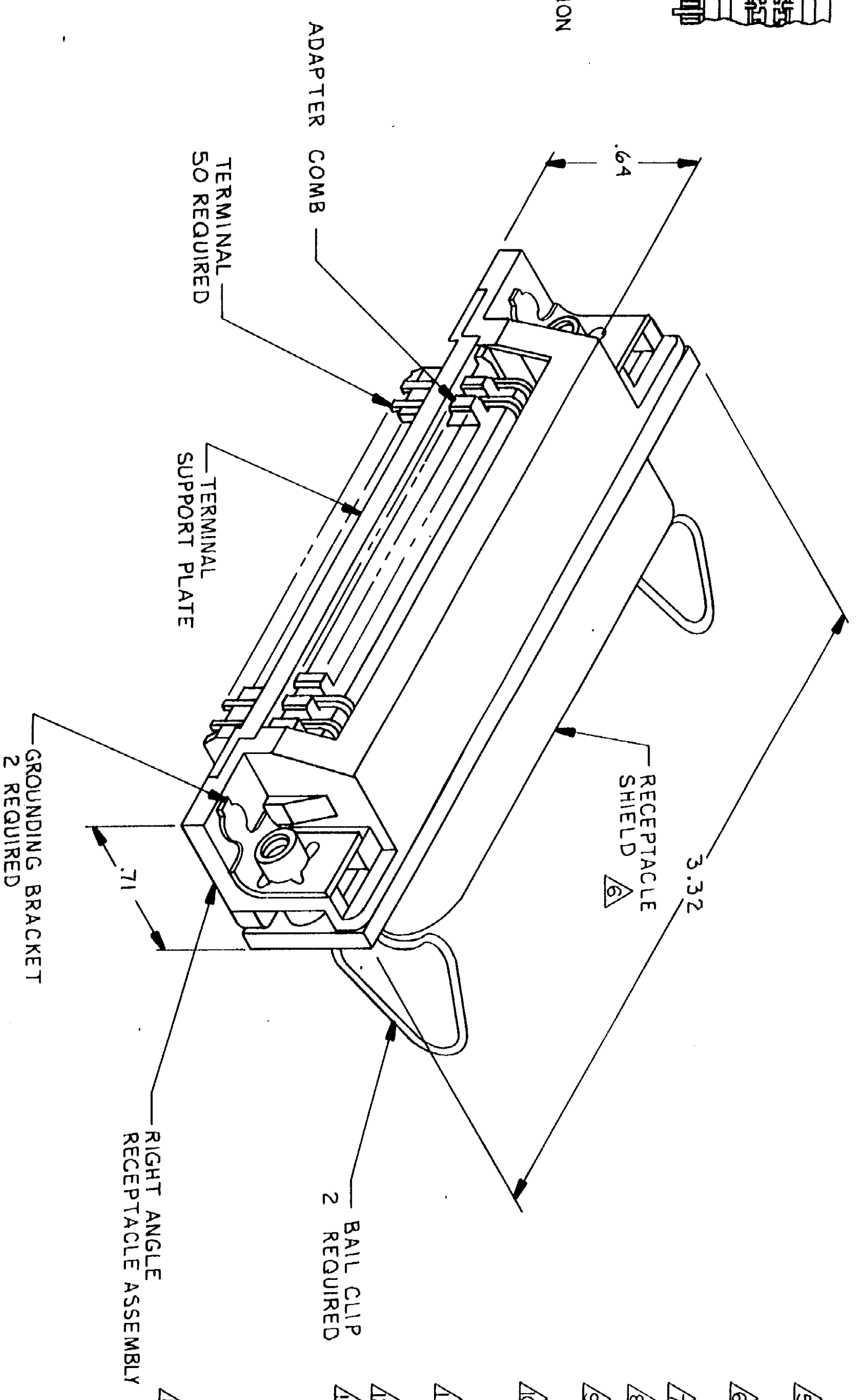
DETAIL D REVERSE ORIENTATION



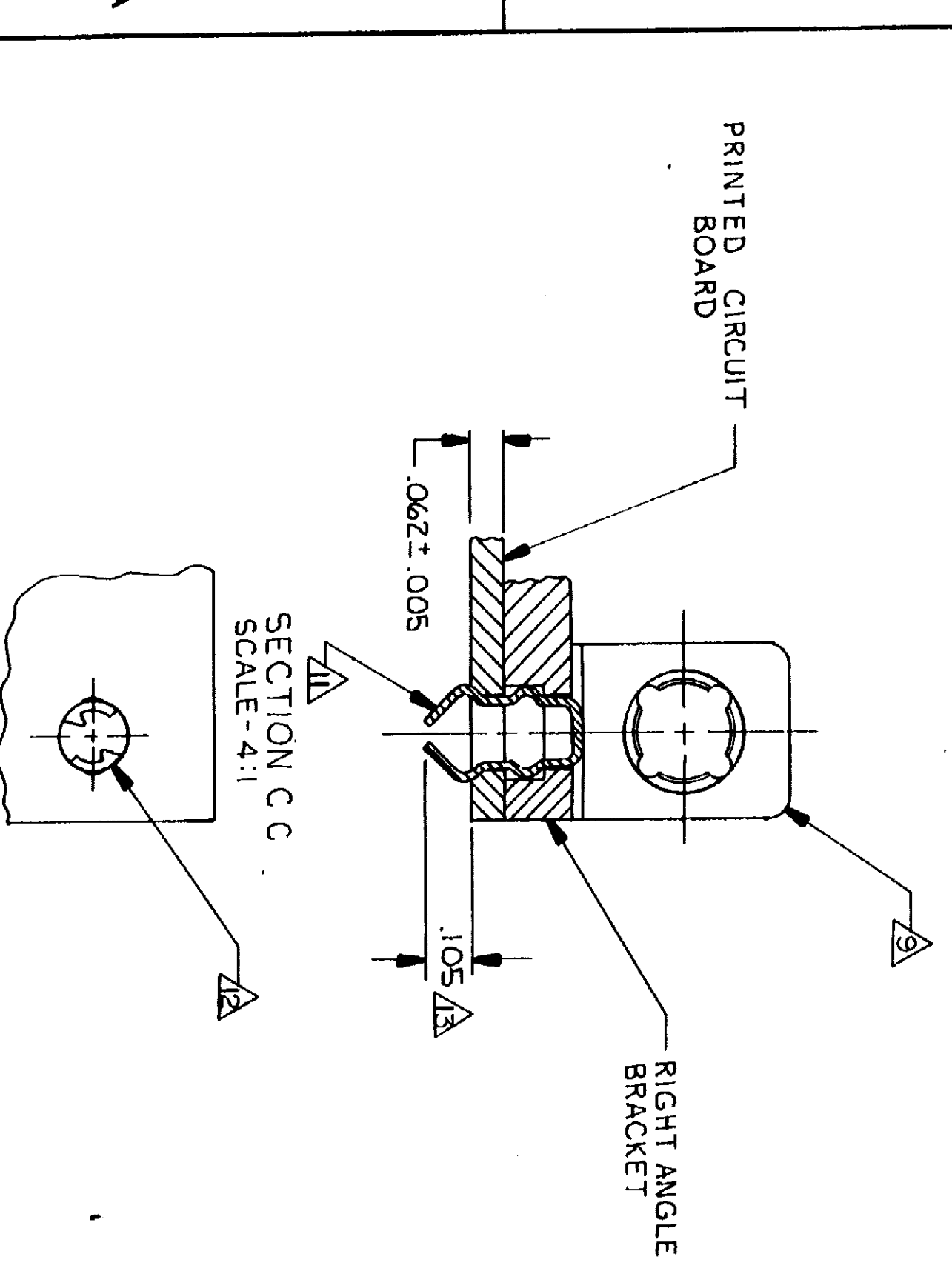
DETAIL A STANDARD ORIENTATION



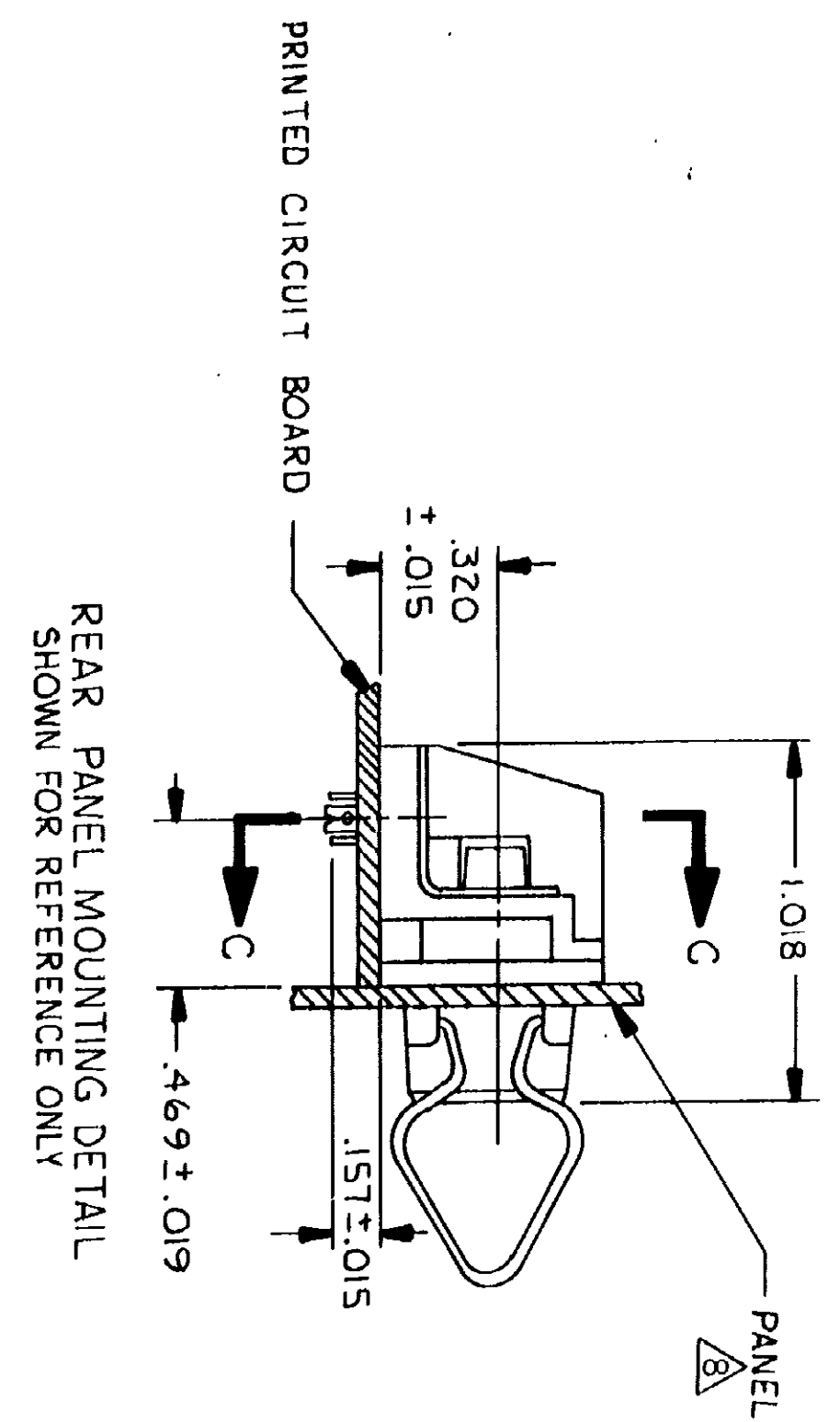
DETAIL B



- △ MATERIAL: HOUSING, BRACKET, ADAPTER COMB AND TERMINAL SUPPORT PLATE - POLYESTER BLACK.  
 BAIL CLIPS - PASSIVATED STAINLESS STEEL.  
 RECEPTACLE SHIELD - BRIGHT NICKEL OVER COPPER PLATED DIE CASTING.  
 TERMINALS - TAILS - TIN LEAD OVER NICKEL PLATED HIGH STRENGTH COPPER ALLOY.  
 MATING SURFACE - LOCALIZED GOLD OVER NICKEL PLATED HIGH STRENGTH COPPER ALLOY.  
 GROUND BRACKET - TIN-LEAD PLATED CARBON STEEL.
1. THE CONTACT SURFACES OF THE TERMINALS ARE COATED WITH LUBRICANT.
  2. CENTER TO CENTER SPACING OF TERMINALS IS .085 NOMINAL.
  3. ALL DIMENSIONS SHOWN ARE MAXIMUM UNLESS OTHERWISE SPECIFIED.
  4. DETAIL A IS VIEWED FROM MATING SIDE OF RECEPTACLE ASSEMBLY.
  5. SHIELD IS ASSEMBLED TO RECEPTACLE ASSEMBLY BEFORE SHIPMENT.
  6. TERMINAL 1 LOCATED IN THIS ROW FOR STANDARD ORIENTATION.
  7. PANEL THICKNESS RANGE: .062 MAXIMUM.
  8. GROUNDING BRACKET RETAINS CONNECTOR IN .062 THICK P.C. BOARD WITHOUT ADDITIONAL HARDWARE.
  9. IF TERMINALS DO NOT EXTEND BELOW COMB, THEN COMB SHALL BE PARTIALLY RETRACTED BEFORE INSERTING CONNECTOR INTO P.C. BOARD.
  10. GROUNDING BRACKET LOCATES CONNECTOR FLUSH WITH TOP OF P.C. BOARD AND SPRING LOCKS BENEATH.
  11. CYLINDRICAL SHAPE OFFERS 180° OF SOLDERING SURFACE.
  12. SURFACE AREA OF GROUNDING BRACKET BELOW P.C. BOARD SHALL PASS SOLIDABILITY REQUIREMENTS IN ACCORDANCE WITH AMP SPECIFICATION 109-11-2. DISCOLORATION, SCRATCHES, SPOTS AND OTHER COSMETIC DEFICIENCIES TYPICAL OF BARREL PLATING PROCESSES ARE ACCEPTABLE PROVIDING PARTS PASS 24 HOUR EXPOSURE AT 95% RH AT 40°C WITHOUT EVIDENCE OF CORROSION.
  13. TERMINAL 1 LOCATED IN THIS ROW FOR REVERSE ORIENTATION.



SECTION C C SCALE - 4:1



REAR PANEL MOUNTING DETAIL SHOWN FOR REFERENCE ONLY

UNLESS OTHERWISE SPECIFIED DIMENSIONS ARE IN INCHES TOLERANCES ON: ANGLES: °		CONTRACT NO. DR C-14026 9-29-86	
MATERIAL		CHS 10-16-86	
FINISH		APPD	
OTHER A.P.P.O.		APPD	
NAME		RECEPTACLE ASSEMBLY, SHIELDED, 50 POSITION, RIGHT ANGLE, BAIL LOCK, FLUSH PANEL MOUNTING WITH BOARD LOCK GROUND, CHAMP	
SIZE		D	
FSCM NO.		00779	
DRAWING NO.		555057	
SCALE		2:1	
SHEET		1 OF 1	